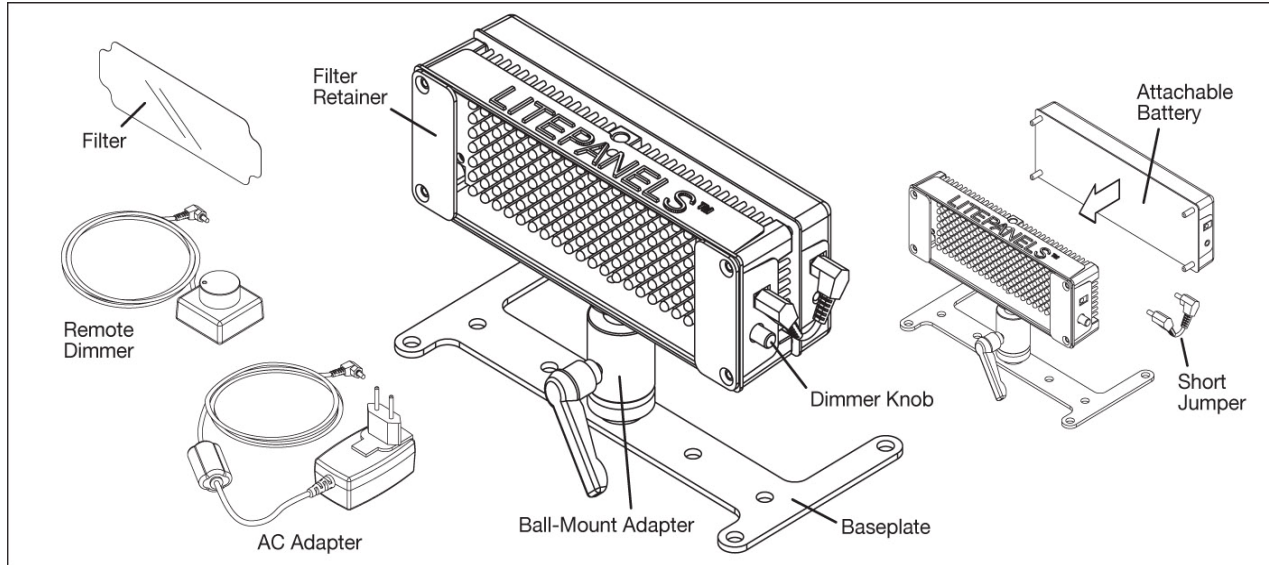




## Litepanels™ – “Mini-Plus” Instructions



### Litepanels can use Five (5) different power supplies

1. AC Adapter – Right angle DC connector plugs into jack on side of Litepanels-Mini fixture. Select an appropriate adapter plug for a specific region and attach until plug locks into place. Connect the AC adapter to a 110/220VAC wall outlet or power cord.

**\*\*\*Do not power the AC Adapter through a dimming device\*\*\***

2. 12V “Litepanels” Battery – The Litepanels-Mini 12VDC Battery attaches onto the back of the LED fixture via quick-release pins. Align battery and Litepanel terminals to same side, then snap together. Attach the short jumper to supply power.
3. 12V Power point – Attach the Cigarette lighter adapter to power point terminal. Determine requirement for male/female extension wire, then attach the other end to the Litepanels-Mini fixture.
4. Camera auxiliary power – An Anton Bauer type “D” tap connector attaches to the Litepanels-Mini and plugs into the camera auxiliary power tap. An optional XLR 4-pin connector is available on request.  
The Litepanels – “Mini” draws .67amps @ 12V
5. 10-30V Battery connection – Litepanels-Mini can be powered off any battery, provided that a suitable connector is adapted for this purpose.

**\*\*\* Always attach power cable at lowest dimmer setting, then increase to desired light level. \*\*\***

### **Litepanels, Inc.**

10932 Burbank Blvd., No. Hollywood, CA 91601 USA

Ph. 818.752.7009 - Fax. 818.752.2437

[www.litepanels.com](http://www.litepanels.com)

#### Remote Dimmer Jack

Attach the optional remote dimming module to the jack opposite the input/control side. The remote module allows for dimming at distances of 5-25ft. (wired) and will override the on-board dimmer.

#### Filter/Diffusion Application

Choose a filter, diffusion or a combination of laminates. Apply a filter by inserting under a retainer plate on one end. Repeat for the other side. Reverse this procedure to remove the filter(s).

A combination of the following filters and a reference card are supplied with you Litepanels-MiniPlus kit:

1/8, 1/4, 1/2, full – CTO (tungsten correction)    1/8, 1/4, 1/2, full – CTB (daylight correction)  
Opal tough frost, 1/2 white diffusion, full white diffusion, half grid  
1/8, 1/4 minus green and plus green (fluorescent correction)

#### Base plate

The new base plate can be used for desktop or remote mounting. The removable ball-mount has an integrated hot-shoe for camera mounting capability. For desktop mounting, attach the base plate via the 1/4-20 ball-mount adapter to one of the three LP-MiniPlus threaded holes. Four holes are provided to secure remote mounting of the base plate. An additional four threaded holes

#### Mounting pin adapter

A pin adapter is provided for mounting on tripod or additional hardware. Screw pin adapter to one of three side positions on Litepanels LED housing and mount to tripod or hardware of choice.

### **Litepanels Battery – Charging Instructions**

1. Your Litepanels battery is provided with a nominal charge. It is recommended that the battery be used for one full cycle before its initial charge.
2. Select an adapter plug (110/220VAC) for specific region and attach until plug locks into place. Attach the right angle DC plug into the battery and connect the AC adapter to wall outlet or 110/220VAC power cord.
3. The “Fuel Gauge” will indicate the level of charge initially and throughout the charging process. When fully charged, all five indicators will blink. Disengage the AC Adapter and your battery is ready for use. Engage the push-button on the input side once to measure the battery charging level, twice to turn the indicator off.
4. Do not attempt to recharge a fully charged battery. It will heat up and adversely affect the life of the battery. Avoid this situation by using the battery to its fullest capacity and draining it prior to recharging.
5. The battery provides 2:00 – 2:15 hours at full brightness (100%).
6. **Do not** use the 12VDC Cigarette lighter adapter to charge your Litepanels battery.

\*\*\* **DV Battery Adapter Plates** – Most DV camera batteries contain current-sensing smart fuses, a small portion of which are set too low to be compatible with the Litepanels–Mini. Litepanels, Inc. assumes no liability and makes no guarantees as to the compatibility and performance of DV camera batteries with our product. \*\*\*



#### **Litepanels, Inc.**

10932 Burbank Blvd., No. Hollywood, CA 91601 USA

Ph. 818.752.7009 - Fax. 818.752.2437

[www.litepanels.com](http://www.litepanels.com)